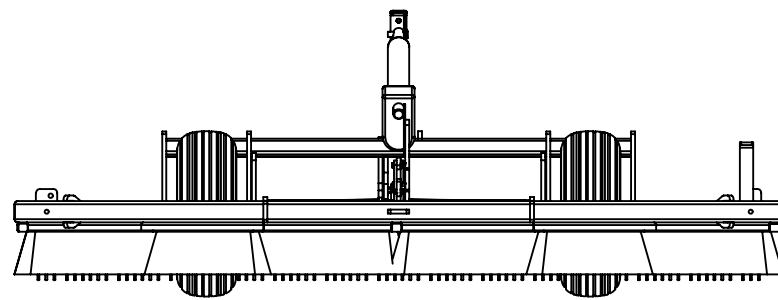
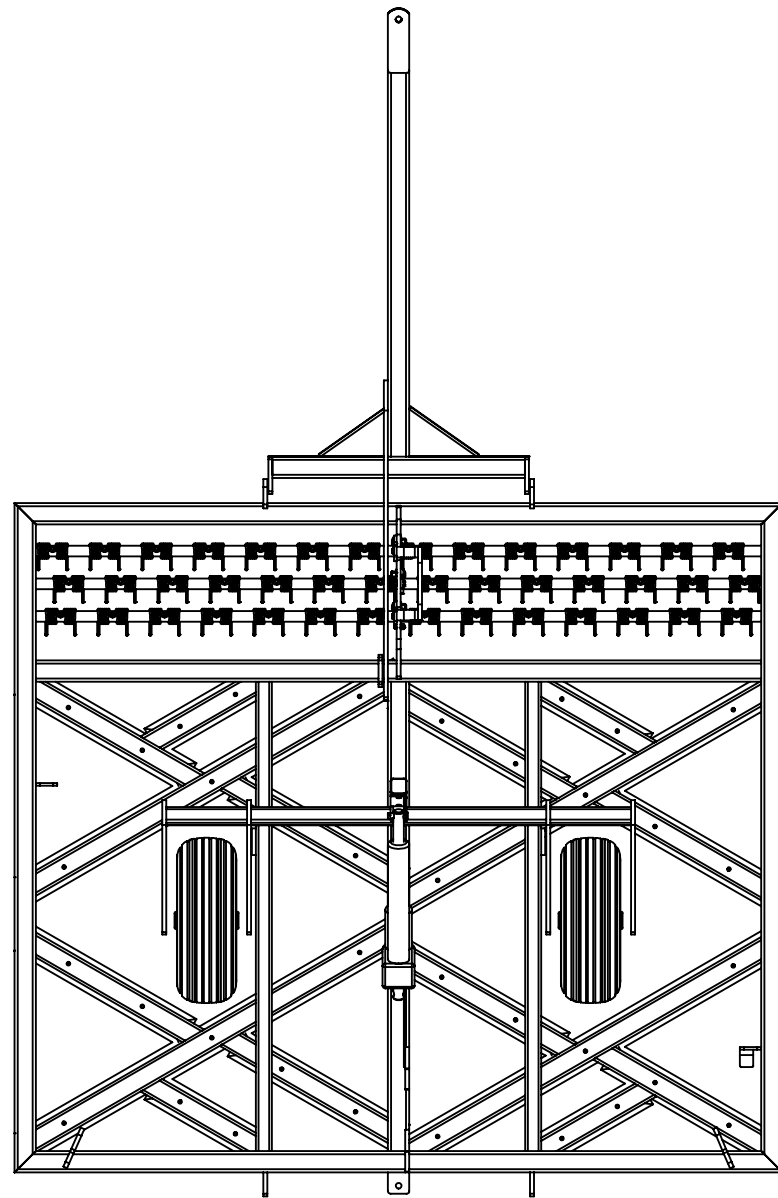


4

3

2

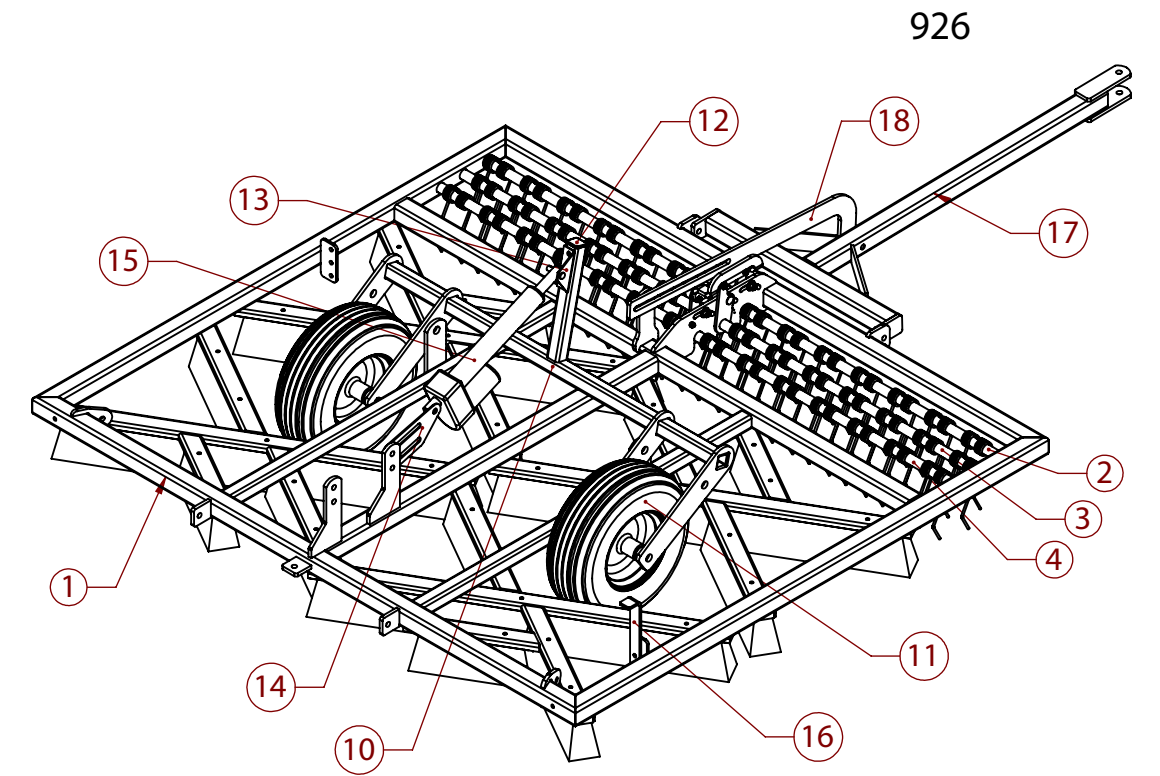
1



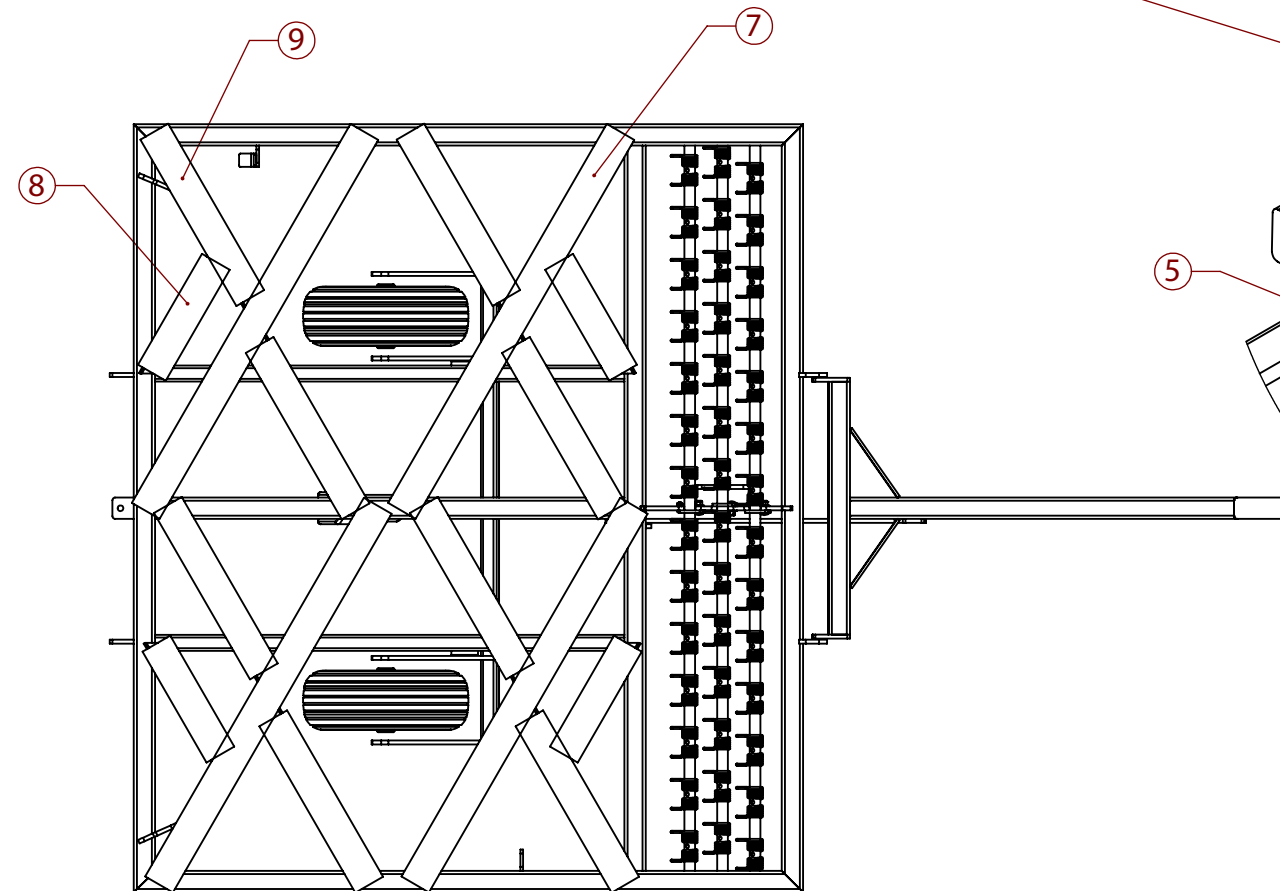
A

B

ITEM NO.	PartNo	NAME	QTY.
1	9260	GROOMER WELDMENT INT STR	1
2	9270	FRONT TINE TUBE WELDMENT	1
3	9280	CENTER TINE TUBE WELDMENT	1
4	9290	REAR TINE TUBE WELDMENT	1
5	7315	SPRING TINE	42
6	92231	HANDLE STR	1
7	41-IN BRUSH	41-IN BRUSH	4
8	12 IN BRUSH	12 (11) IN BRUSH	4
9	18 IN BRUSH	18 IN BRUSH	8
10	9220	WHEEL LIFT WELDMENT XL	1
11	15 IN WHEEL	15 IN WHEEL	2
12	END PLUG	END PLUG	1
13	7270	UPPER CYLINDER MOUNT WELDMENT	1
14	IAB	IAB	1
15	8 IN ACTUATOR	8 IN ACTUATOR	1
16	7233	JACK STAND	1
17	7230	DRAWBAR WELDMENT	1
18	9301	DRAWBAR ADJ. BRACKET FRONT RAKE	1



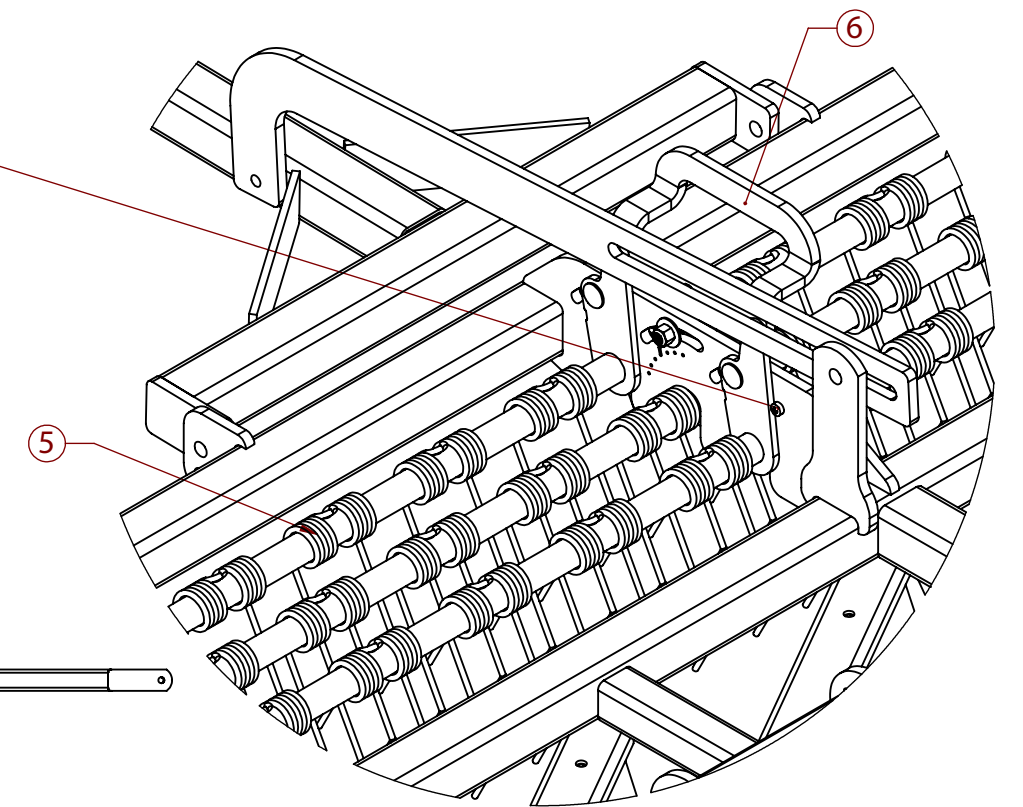
1/4-20 X 3/4L PHILLISTER HEAD SCREW
SETS TINE FACTORY LIMIT



C

D

E



G